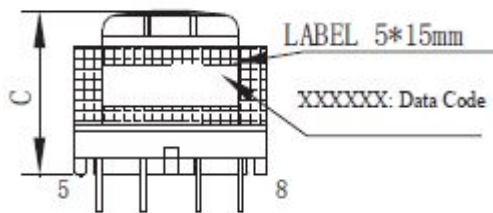
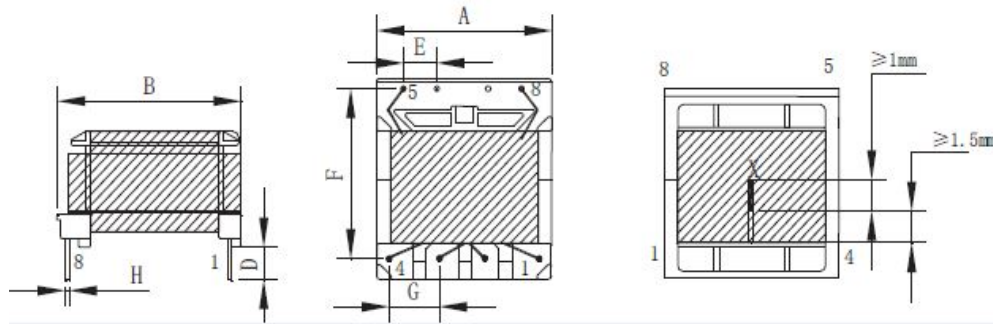


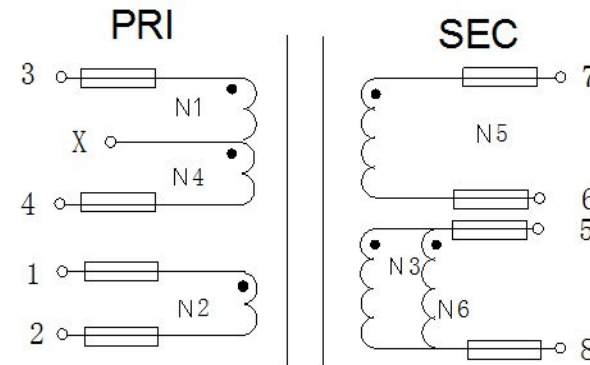
CUSTOMER TERMINAL	ROHS	Lead(Pb)-free
	YES	YES

1.Mechanical Dimensions



A	21.0	MAX
B	23.0	MAX
C	18.0	MAX
D	3.5	±0.5
E	4.0	±0.3
F	18.2	±0.4
G	5.0	±0.3
H	0.80	±0.1

2.Schematic Diagram



3.Material List

Core:FW44 EE20/20/6

Bobbin:FWB2010(4+4PIN)

Wire:2UEW TIW

Operating Temperature: -30 to115 °C

4.Electrical Specification

Inductance : $L(3-4):2.1mH \pm 5\%$ 10KHZ , 0.25V

Leakage Inductance : 75uH MAX 10KHZ , 0.25V

DCR : (6-8)=0.12Ω MAX (3-4)=6.0Ω MAX

Hi-Pot:P-S: AC 60Hz 4000V 1mA 3S

REV.	DATE	<p>Convention Placement</p>	DRW.	Drawing Title:	Part No:		
0	00/00		CHK.			TRANSFORMER	FWPTEF20H212J-1
			APP.			Customer P/N	Specification Sheet 1of 1
ROHS		www.ferriwo.com					